



www.globalindustrial.com

US: 888-628-3466

Canada: 888-645-2986

Mexico: 01.800.681.6940

# Bulk Rack Series Assembly Instructions

<u>Assembly Instruction</u>	<u>Page #</u>
72" Beam Frame Assembly .....	2
96" Beam Frame Assembly .....	3
120" Beam Frame Assembly .....	4
72" / 96" / 120" Bulk Rack Assembly .....	5
72" / 96" / 120" Add-On Assembly .....	6
72" / 96" / 120" Deck Support Assembly .....	7

# BEAM LAYOUT CHART FOR ALL BULK RACK SERIES



www.globalindustrial.com

US: 888-628-3466

Canada: 888-645-2986

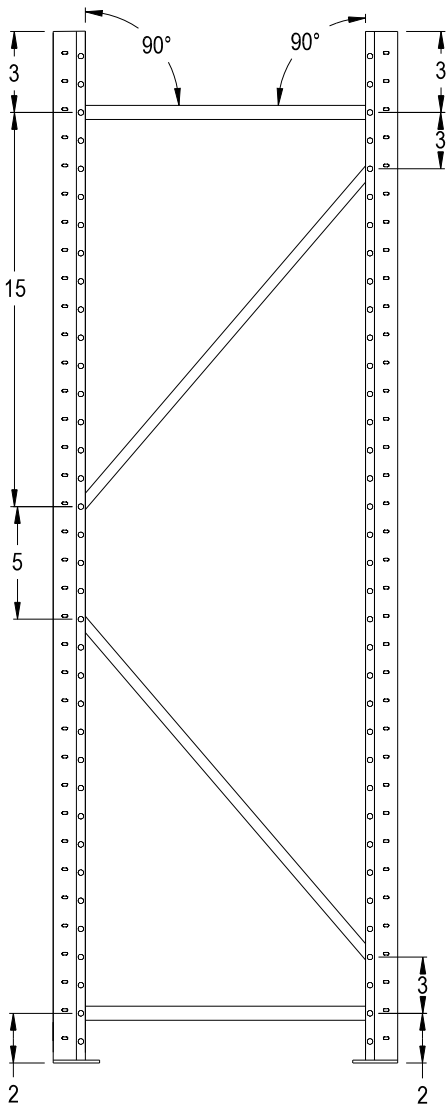
Mexico: 01.800.681.6940



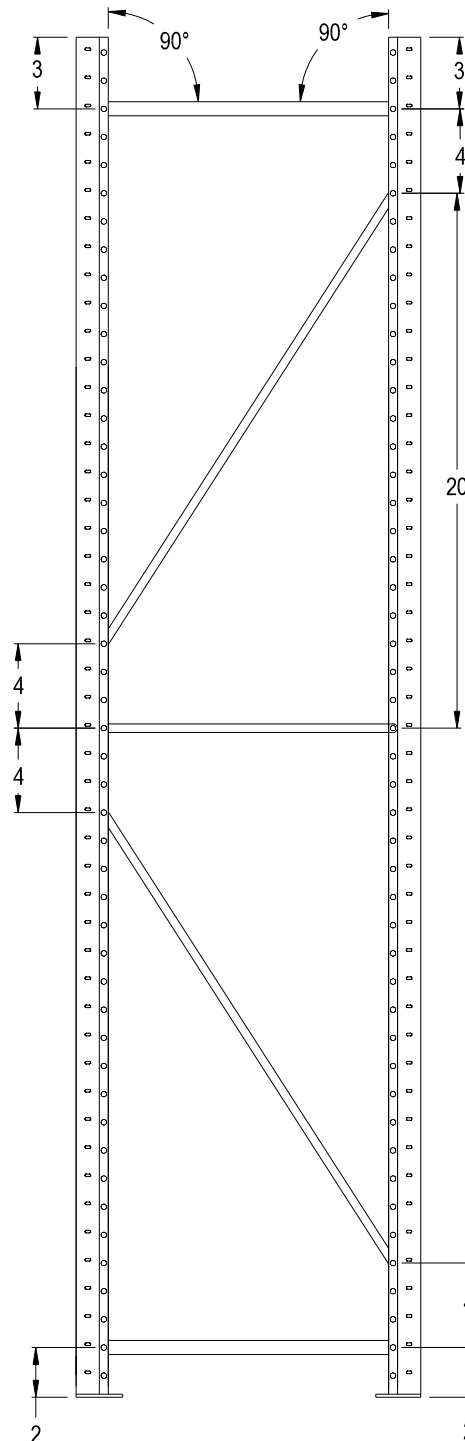
## WARNING.

1. DO NOT CLIMB ON RACK.
2. DO NOT USE RACK AS LADDER.
3. HAND LOAD ONLY.
4. DO NOT OVERLOAD.
5. KEEPER PIN MUST BE INSERTED TO STOP BEAM FROM MOVING.

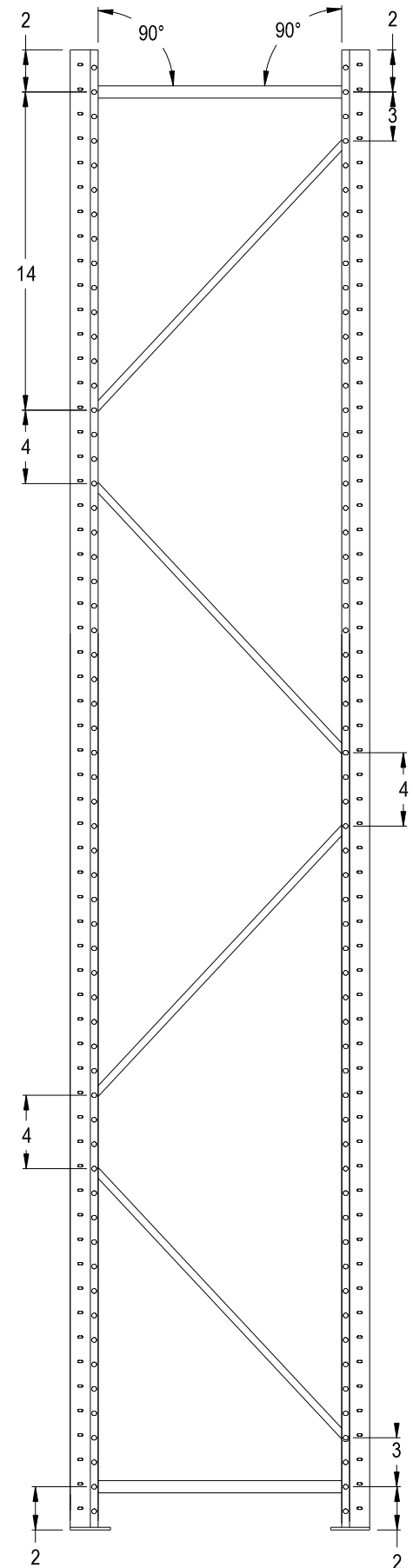
### 72" FRAME



### 96" FRAME



### 120" FRAME



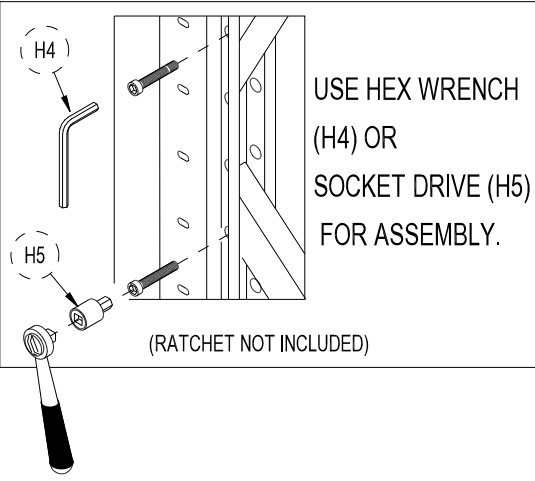
# INCLUDED ASSEMBLY TOOLS



www.globalindustrial.com  
 US: 888-628-3466  
 Canada: 888-645-2986  
 Mexico: 01.800.681.6940

# HARDWARE

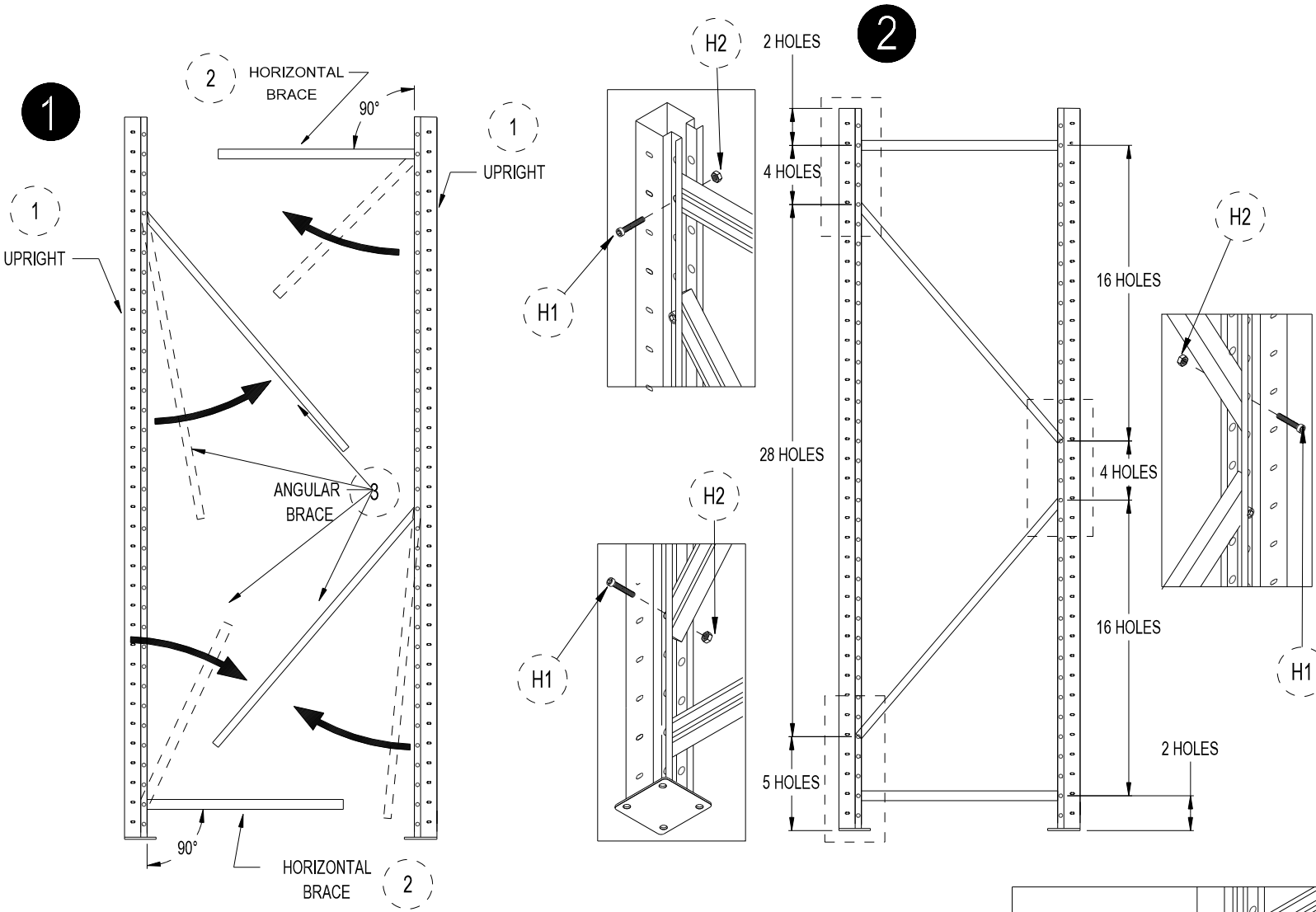
		CONTENTS	
REF.	QTY.	DESCRIPTION	
1	4	VERTICAL UPRIGHT	
2	2	HORIZONTAL BRACE	
3	2	ANGULAR BRACE	
4	6	HORIZONTAL BEAM	
5		DECK SUPPORT	
H1	16	BOLT	
H2	16	NUT	
H3	12	KEEPER PIN	
	1	HEX WRENCH	
	1	1/4" DRIVE	



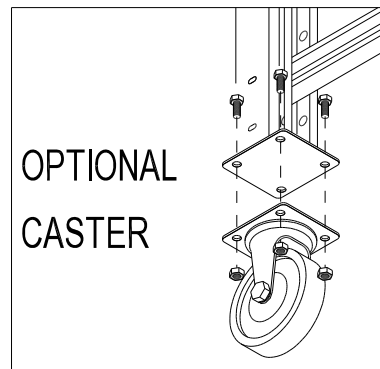
## EXTRA HIGH CAPACITY BULK RACK ASSEMBLY INSTRUCTION

1. WEAR GLOVES TO PREVENT HAND INJURY.
2. FINGER TIGHTEN ALL BOLTS.
3. FULLY TIGHTEN ALL BOLTS AFTER ALL BRACES ARE ASSEMBLED.

# 72" FRAME



- A. LAY UPRIGHTS FACING EACH OTHER ON THE FLOOR.
- B. SWING OUT UPPER AND LOWER HORIZONTAL SUPPORT BRACES AND BOLT INTO PLACE.
- C. LOCATE AND BOLT ANGULAR BRACES INTO PLACE.



# INCLUDED ASSEMBLY TOOLS



www.globalindustrial.com

US: 888-628-3466

Canada: 888-645-2986

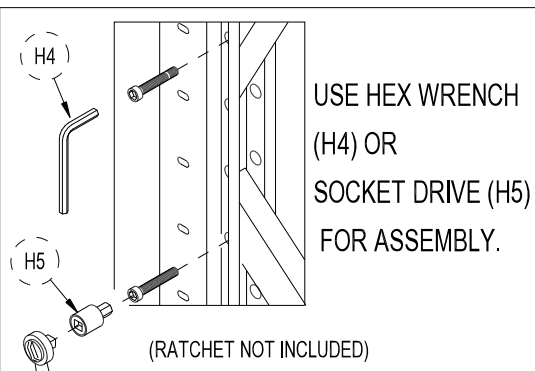
Mexico: 01.800.681.6940

## EXTRA HIGH CAPACITY BULK RACK ASSEMBLY INSTRUCTION

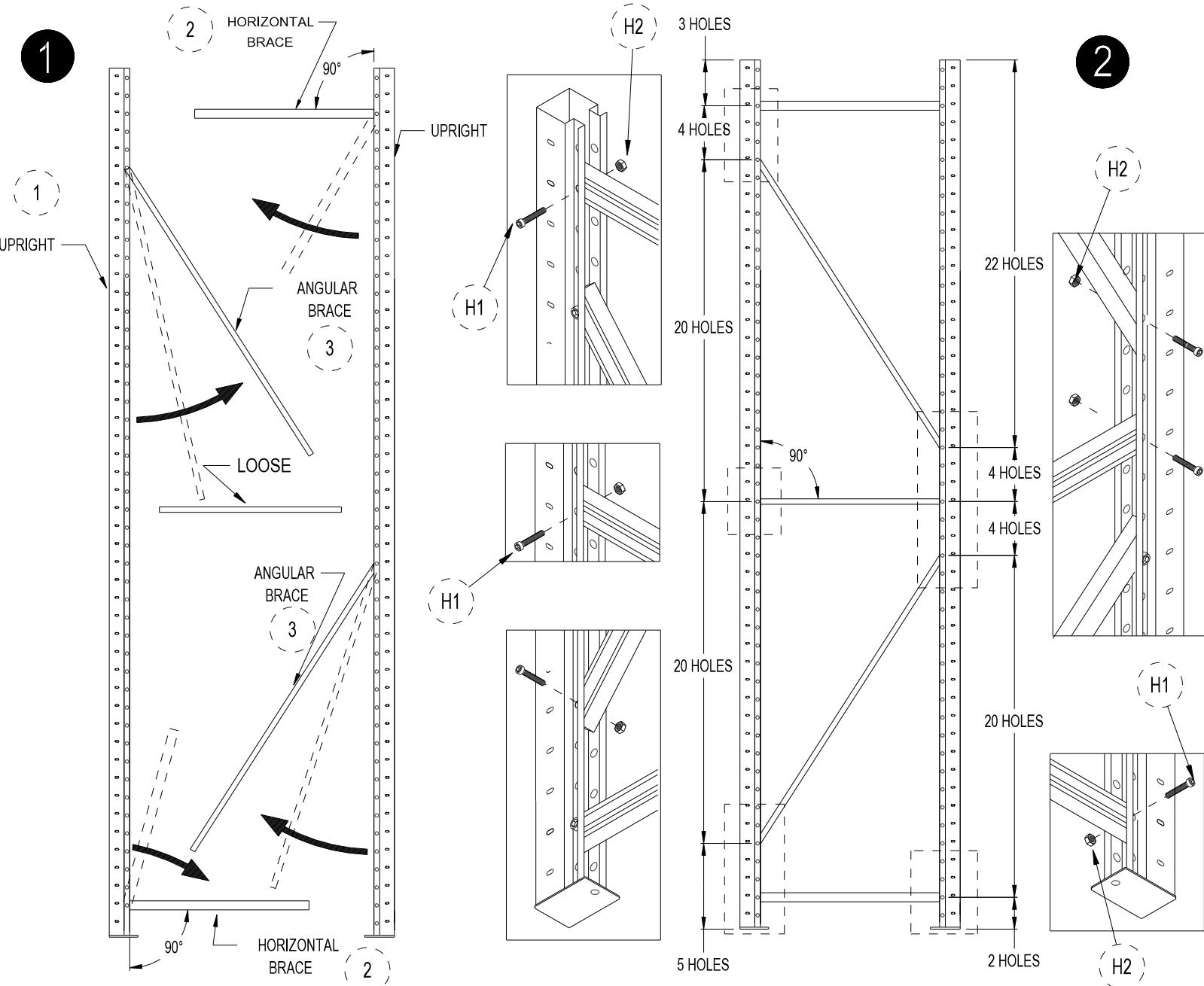
1. WEAR GLOVES TO PREVENT HAND INJURY.
2. FINGER TIGHTEN ALL BOLTS.
3. FULLY TIGHTEN ALL BOLTS AFTER ALL BRACES ARE ASSEMBLED.

# HARDWARE

CONTENTS		
REF.	QTY.	DESCRIPTION
1	4	VERTICAL UPRIGHT
2	3	HORIZONTAL BRACE
3	2	ANGULAR BRACE
4	6	HORIZONTAL BEAM DECK SUPPORT
5		
H1	16	BOLT
H2	16	NUT
H3	12	KEEPER PIN
H4	1	HEX WRENCH
H5	1	1/4" DRIVE



# 96" FRAME



- A. LAY UPRIGHTS FACING EACH OTHER ON THE FLOOR.
- B. SWING OUT UPPER AND LOWER HORIZONTAL SUPPORT BRACES AND BOLT INTO PLACE.
- C. LOCATE AND BOLT ANGULAR BRACES INTO PLACE.

# INCLUDED ASSEMBLY TOOLS



www.globalindustrial.com  
 US: 888-628-3466  
 Canada: 888-645-2986  
 Mexico: 01.800.681.6940

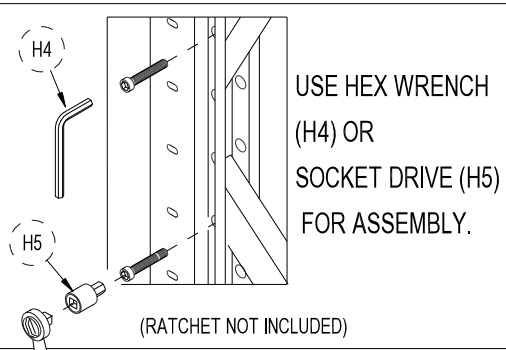
## EXTRA HIGH CAPACITY BULK RACK

### ASSEMBLY INSTRUCTION

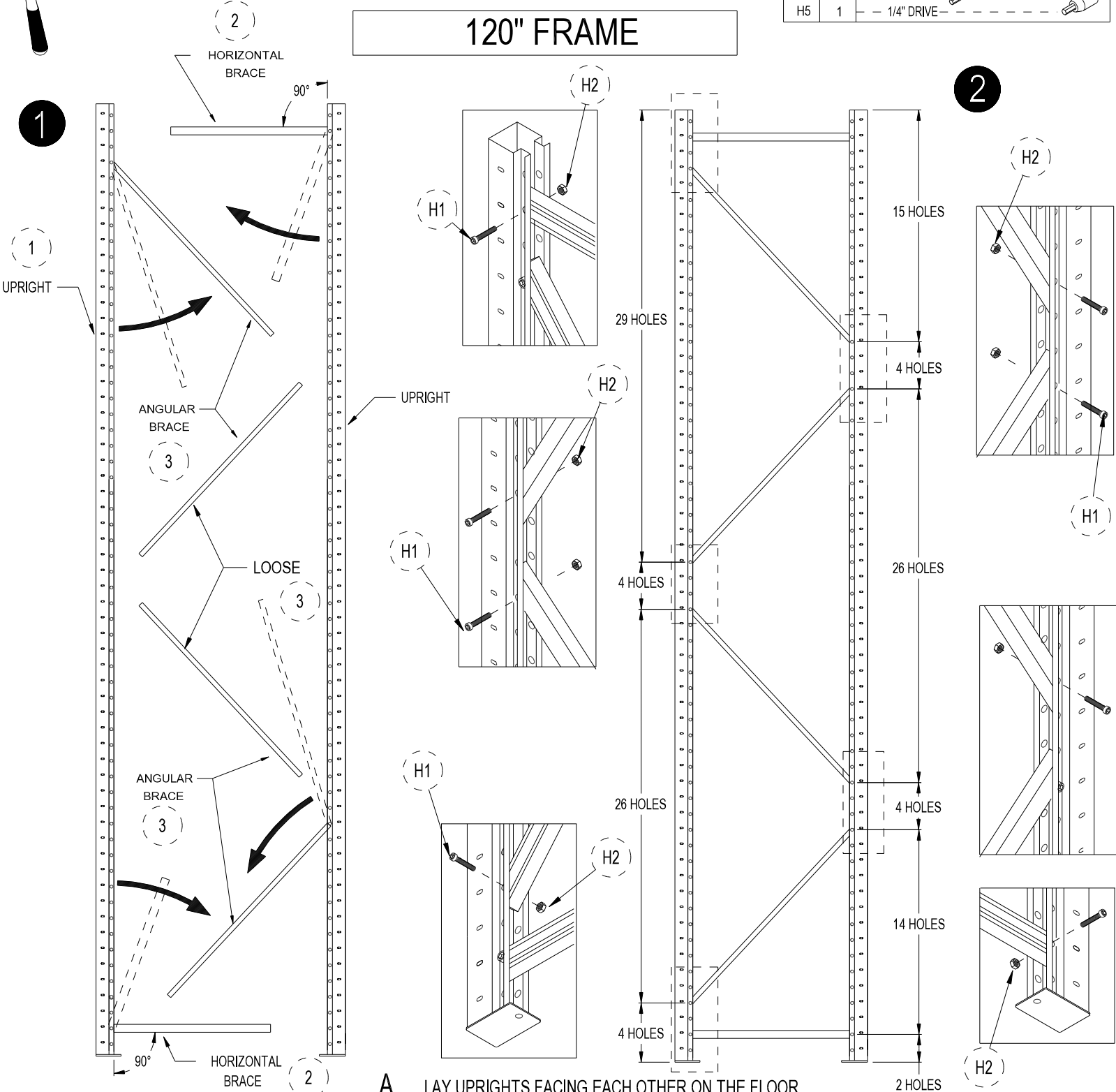
1. WEAR GLOVES TO PREVENT HAND INJURY.
2. FINGER TIGHTEN ALL BOLTS.
3. FULLY TIGHTEN ALL BOLTS AFTER ALL BRACES ARE ASSEMBLED.

# HARDWARE

CONTENTS		
REF.	QTY.	DESCRIPTION
1	4	VERTICAL UPRIGHT
2	2	HORIZONTAL BRACE
3	4	ANGULAR BRACE
4	6	HORIZONTAL BEAM DECK SUPPORT
5		
H1	16	BOLT
H2	16	NUT
H3	12	KEEPER PIN
H4	1	HEX WRENCH
H5	1	1/4" DRIVE



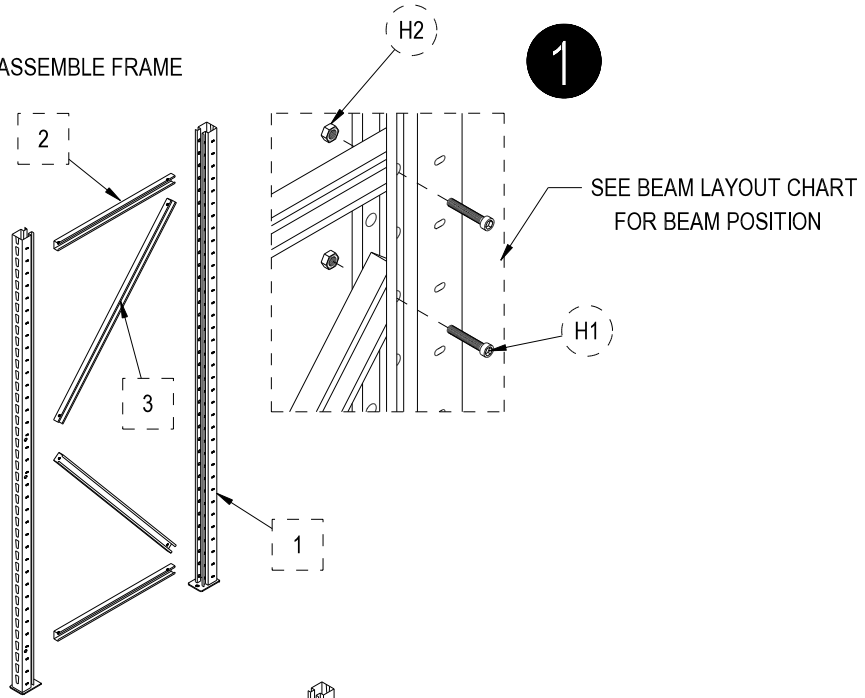
## 120" FRAME



- LAY UPRIGHTS FACING EACH OTHER ON THE FLOOR.
- SWING OUT UPPER AND LOWER HORIZONTAL SUPPORT BRACES AND BOLT INTO PLACE.
- LOCATE AND BOLT ANGULAR BRACES INTO PLACE.

**EXTRA HEIGH CAPACITY BULK RACK**  
ASSEMBLY INSTRUCTION

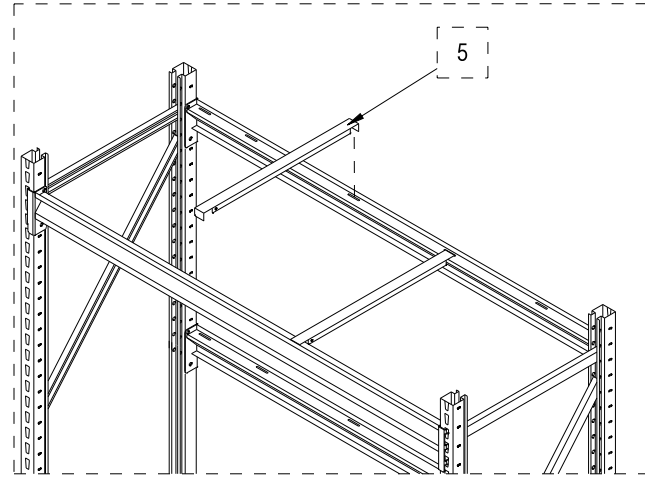
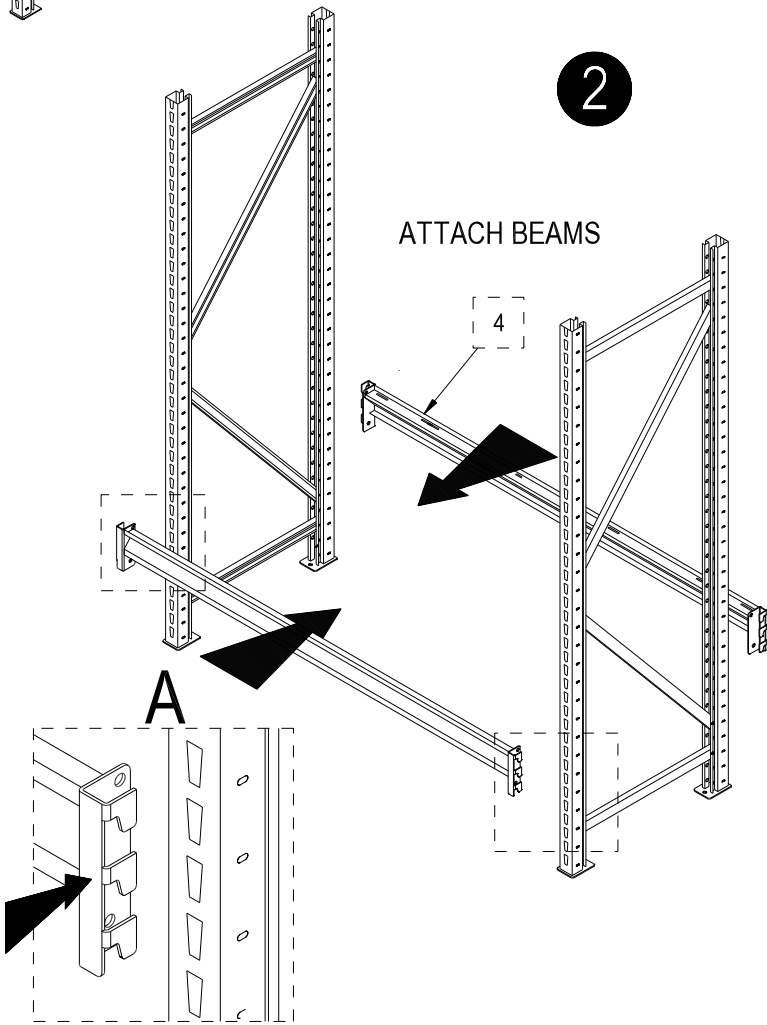
ASSEMBLE FRAME



CONTENTS		
REF.	QTY.	DESCRIPTION
1	4	VERTICAL UPRIGHT
2		HORIZONTAL BRACE (72" AND 120" USE 2) (96" USE 3)
3		ANGULAR BRACE (72" AND 96" USE 2) (120" USE 4)
4	6	Z - BEAM
5		DECK SUPPORT
H1		BOLT
H2		NUT
H3		KEEPER PIN

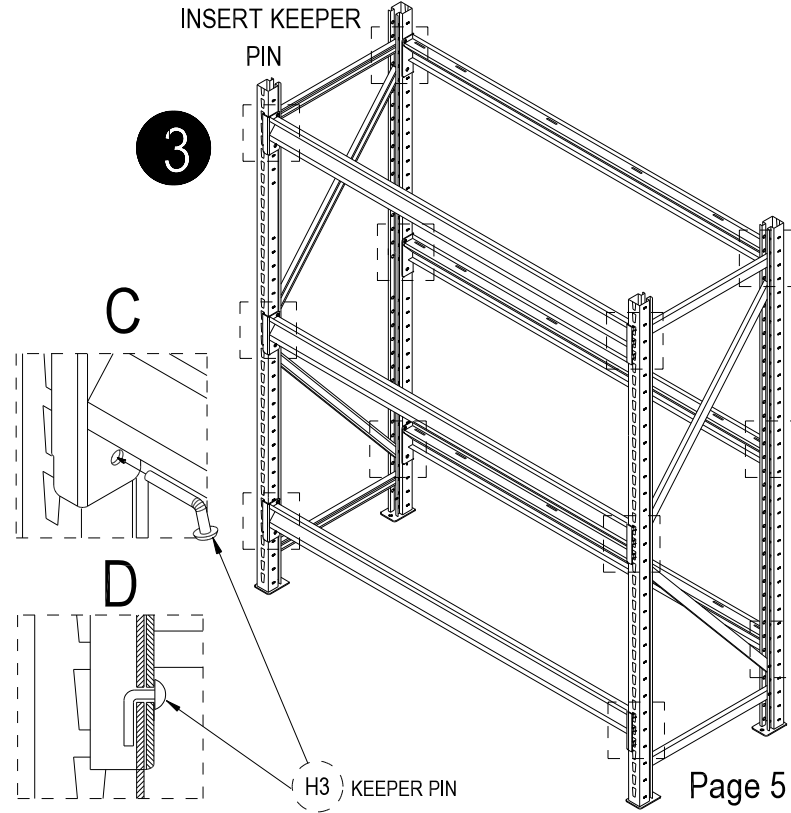
**2**

ATTACH BEAMS

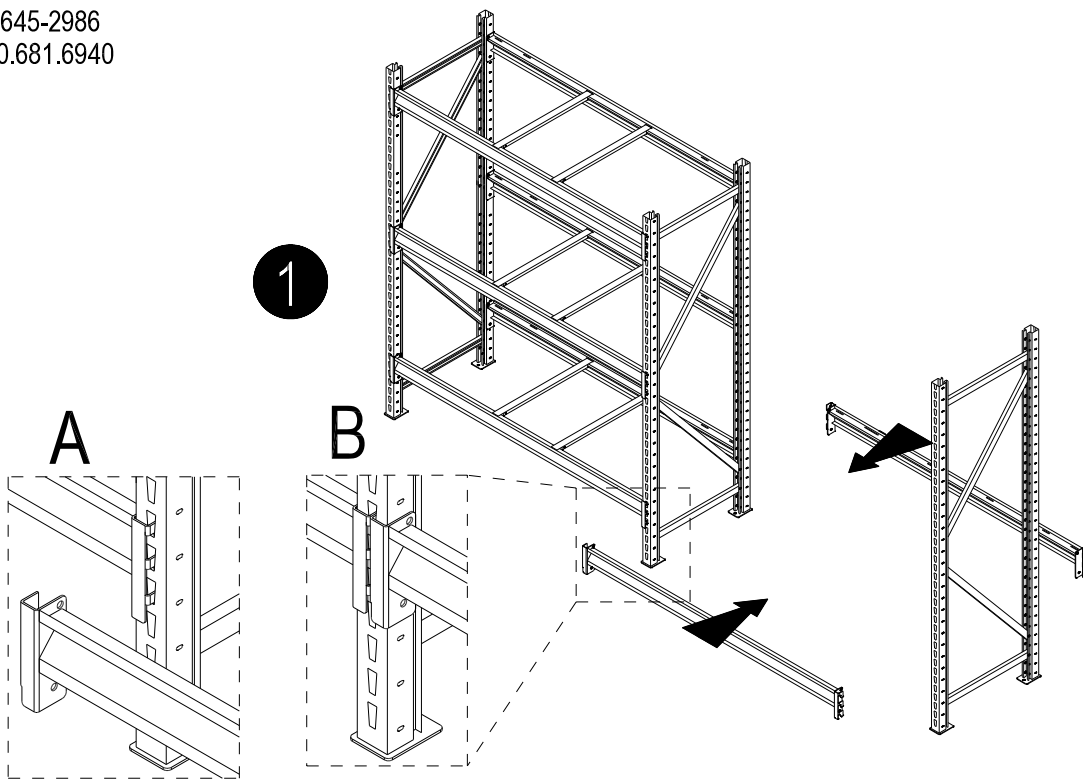


**3**

INSERT KEEPER PIN

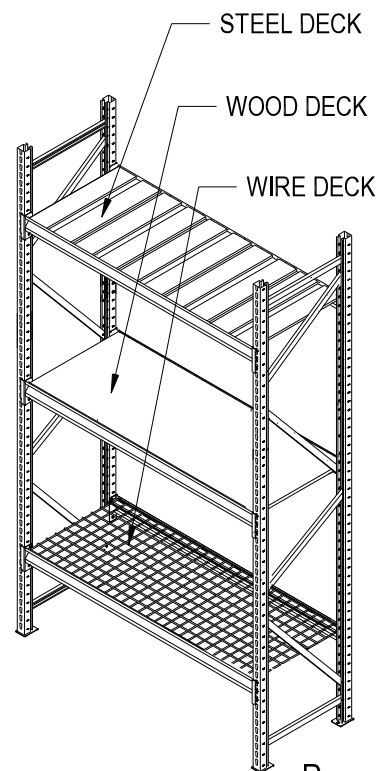
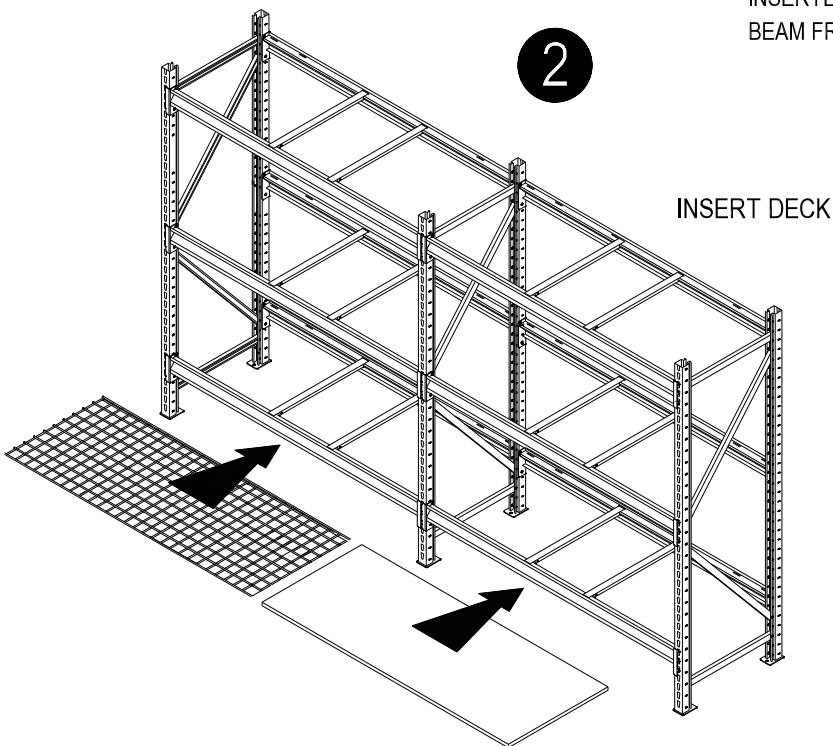


**ADD-ON UNIT**



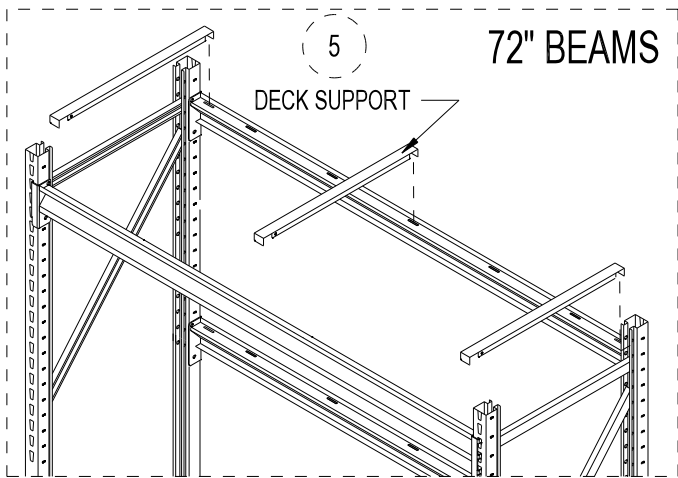
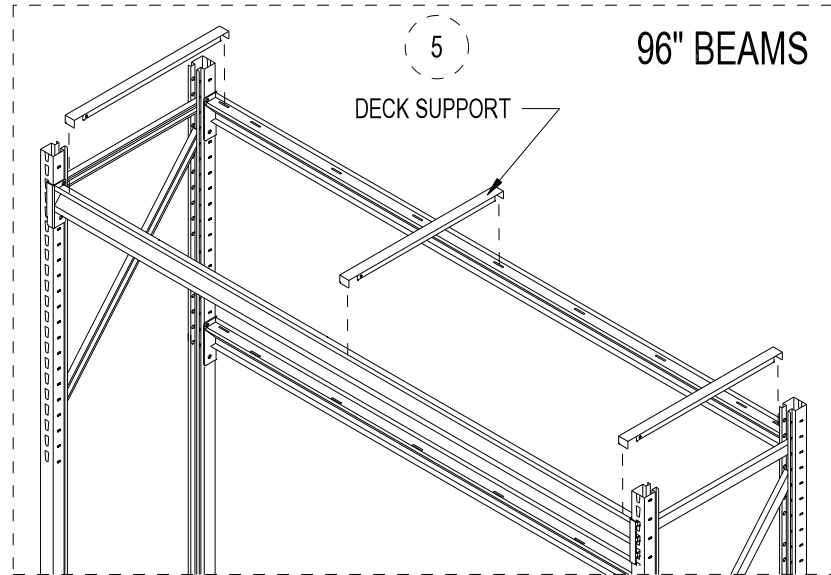
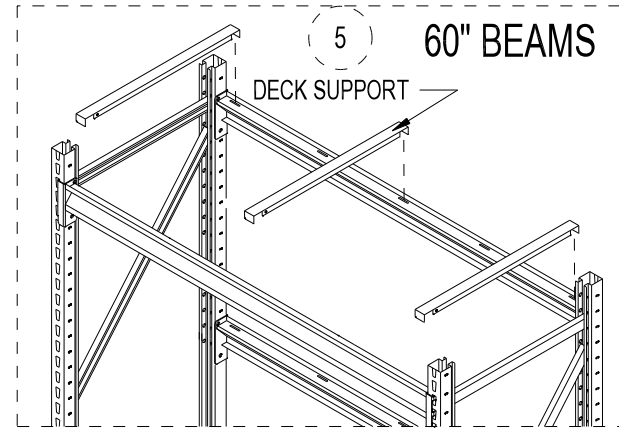
**⚠ WARNING.**

- 1. DO NOT CLIMB ON RACK.
- 2. DO NOT USE RACK AS LADDER.
- 3. HAND LOAD ONLY.
- 4. DO NOT OVERLOAD.
- 5. KEEPER PIN MUST BE INSERTED TO STOP BEAM FROM MOVING.



FOR WOOD AND WIRE DECKS ONLY  
DECK SUPPORT ASSEMBLY AND POSITIONS

INSTALL DECK SUPPORTS IN CENTER  
AND END POSITIONS AS ILLUSTRATED.



INSTALL SHELF DECKING:

PLACE THE SHELF DECKING ONTO THE BEAMS.

